

DRIVERSE

AUTOMOTIVE SOFTWARE



**QUICK LUBE POS &
REPAIR SHOP SOFTWARE.**

www.driverse.com | 800.600.4955

SOLUTIONS FOR YOUR INDUSTRY.



Quick Lube Shops

Quick Lube Shops



Light Repair Shops

Light Repair Shops



Specialty Shops



Full Service Shops

Full Service Shops



Independent Garages

& More!



Visit Our Website
www.Driverse.com



DRIVERSE

AUTOMOTIVE SOFTWARE

John Doe
 1234567890

2017 Ford F-150 XLT 5.0L V8
 FLEX MPI (F) Naturally Aspirated 360HP

Time to change oil

95 000
 Current Mileage

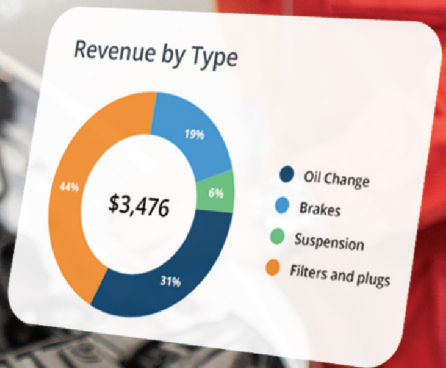
7/20/2021
 Last Oil Change Date

88 000
 Last Oil Change Mileage

Repair Estimate \$170.00

Estimate

Type	Item Name
	ABS Control Module R&R -Brakes

THE NEW FACE OF SHOP SOFTWARE.

DRIVERSE

AUTOMOTIVE SOFTWARE

POINT OF SALE

- Quickly build estimates.
- Track customers/fleets/vehicles.
- Easy customer lookup.
- & More

LUBE & REPAIR

- OEM parts lookup.
- Vehicle diagrams.
- Accurate labor times.
- & More



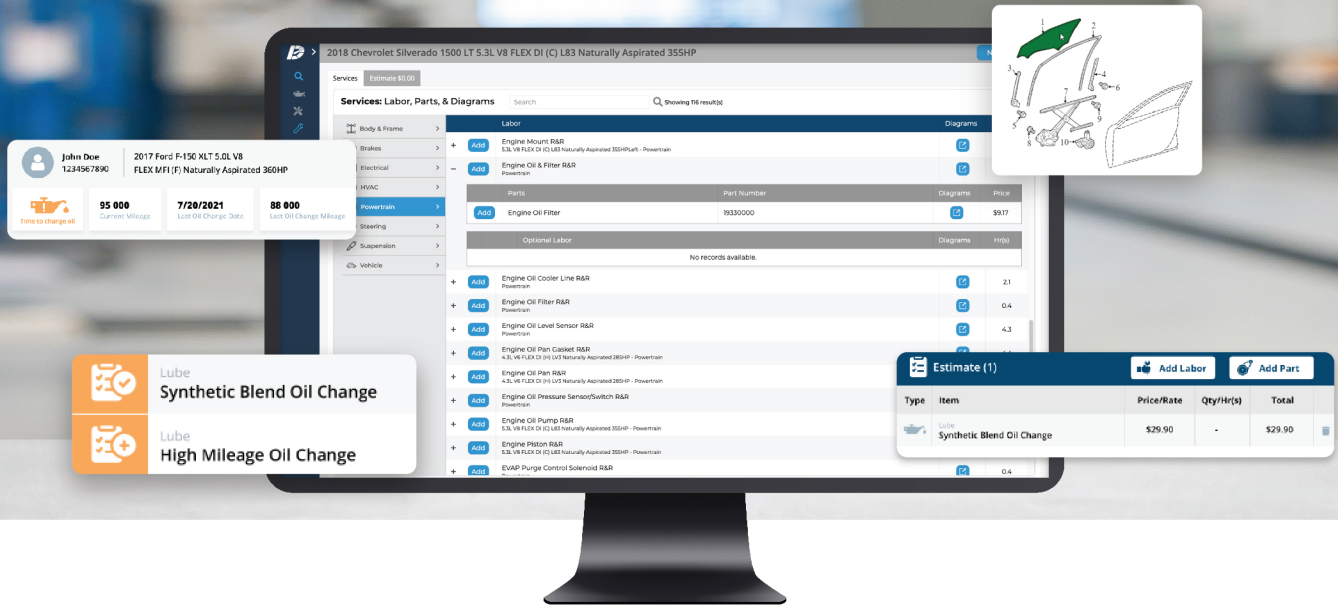
INVENTORY

- Track quantities.
- Set costs/prices.
- Easily add new items.
- & More

REPORTING

- Revenue reports.
- Expense reports.
- Labor costs.
- & More

QUICK LUBE POS & REPAIR SHOP SOFTWARE.



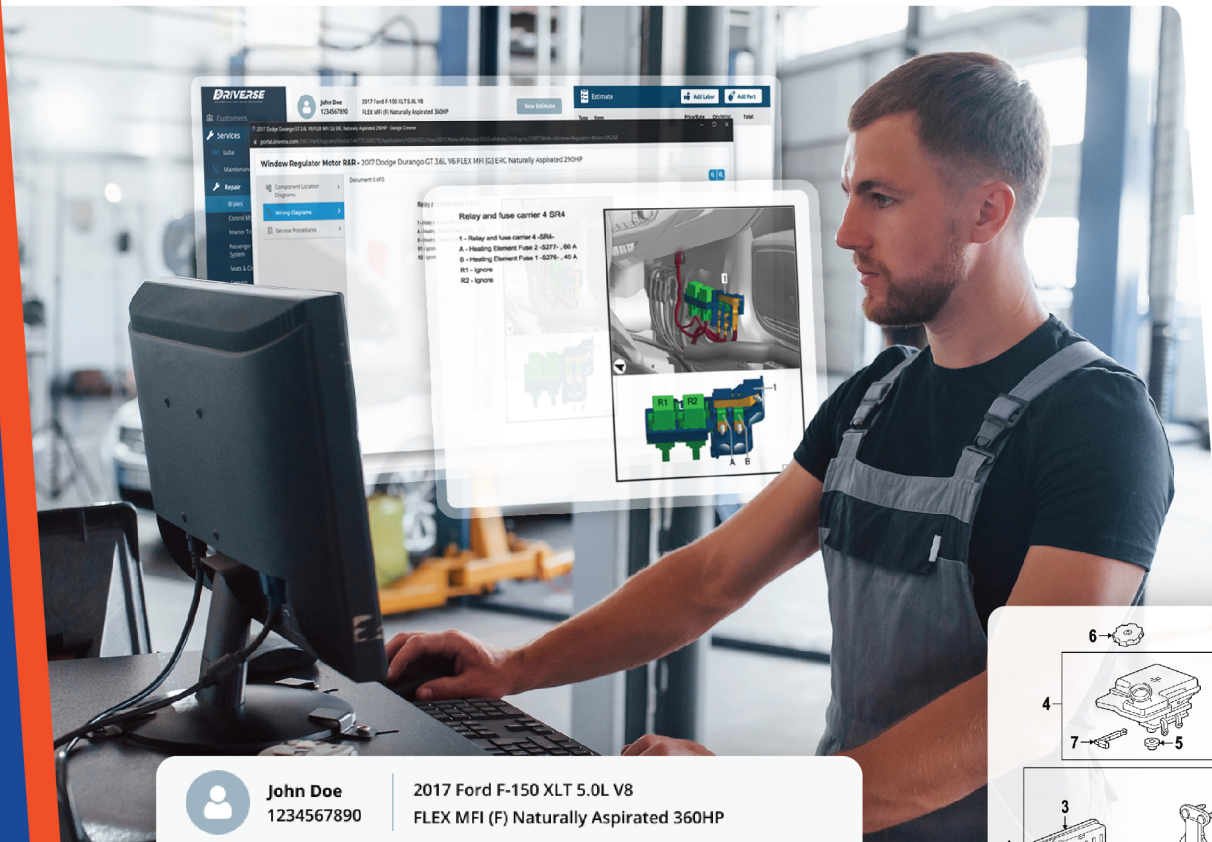
- Point Of Sale
- Parts & Labor Lookup
- Create Estimates
- Detailed Reporting
- Fully Cloud Based
- Reduce Errors
- Bay Management
- Inventory Management
- & MORE!**



What Is Driverse?

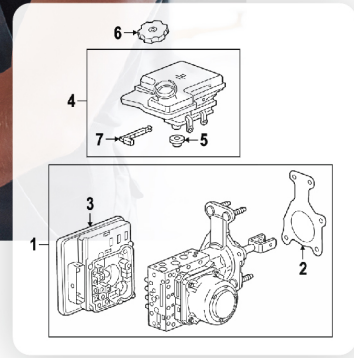
Driverse is our new cloud based solution for the quick lube and repair shop industries. Our goal was to listen to the industry, then work to provide the value that is lacking in their current systems. The feedback we received is that today's shop software solutions are

cumbersome and inefficient. Driverse is built with simplicity and efficiency in mind so you will spend less time fumbling with software, and have more time to run your shop. We empower your team with intuitive tools...

EMPOWER YOUR TECHNICIANS



 John Doe 1234567890	2017 Ford F-150 XLT 5.0L V8 FLEX MFI (F) Naturally Aspirated 360HP		
 Time to change oil	95 000 Current Mileage	7/20/2021 Last Oil Change Date	88 000 Last Oil Change Mileage



The Right Tools For The Job

Effortlessly look up detailed vehicle information based on year/make/model. Your technicians will have access to detailed vehicle diagrams, step by step procedures, labor times, training videos, and more! Easy and accurate estimate building creates a seamless process and reduces under-quoting and errors. The Ticket screen allows you to manage tickets and pull up previous estimates at anytime to turn them into active tickets.

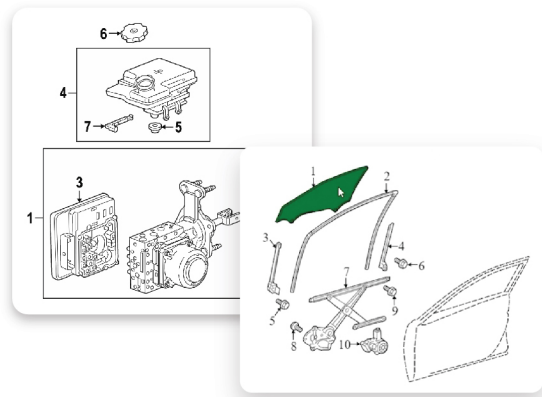
Features For Your Techs

- MOTOR vehicle data.
- Easy OEM parts lookup.
- Detailed diagrams.
- Step by step procedures.
- Accurate labor times.
- Easily build estimates.
- Technician training.



Parts	Part Number
Primary ABS Pressure Hose	FL3Z 2A040-A
Primary ABS Pressure Hose	FL3Z 2A040-B
Secondary ABS Pressure Hose	FL3Z 2234-B

OEM Parts Lookup



Detailed Diagrams

Type	Item	Price/Rate	Qty/Hr(s)	Total
Brakes	Brake Line R&R	\$160.00	1.6	\$160.00
Brakes - Primary	ABS Pressure Hose	\$36.18	1	\$36.18

Accurate Labor Times

Build & Manage Estimates



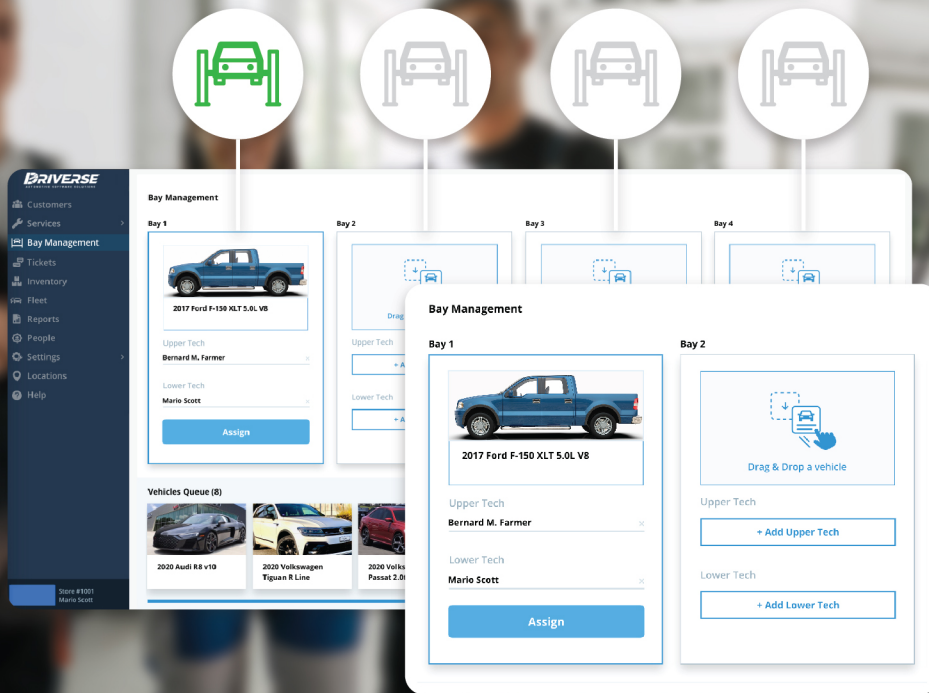
FASTER TECHNICIANS & REDUCED ERRORS

Ticket ID	Year	Make	Model	Submodel	Engine	Mileage	Total	Date	Time	Status
44454	2017	Ford	F-150	LP	5.0L V8	15755	\$259.20	5/6/2021	12:47 PM	Estimate
44456	2000									
44457	2000									
44458	2000									
44459	2000	Toyota	Camry	LP	2.4L I4	102,248	\$259.20	5/4/2021	12:47 PM	Work in Progress
44460	2000	Honda	Odyssey	LX	3.5 V6 (J6A)	211,276	\$475.00	5/4/2021	10:35 PM	Refunded
44461	2000	Toyota	Camry	LP	2.4L I4	102,248	\$259.20	5/4/2021	12:47 PM	Work Failed - Pending Patch
44462	2006	Nissan	Maxima	SE	3.5 V6 VQ35DE	107,225	\$400.00	5/4/2021	12:30 PM	Receipt
44462	2002	Toyota	Camry	LP	2.4L I4	102,248	\$259.20	5/4/2021	12:47 PM	Work in Progress
44463	2000	Honda	Odyssey	LX	3.5 V6 (J6A)	211,276	\$475.00	5/4/2021	10:35 PM	Estimate

Accurate Estimates

- Quickly build estimates.
- Save & manage estimates.

MANAGE YOUR BAYS & YOUR TEAM



Simple For Your Techs

Quickly assign vehicles to a bay, assign technicians, and track ticket progress. Specific ticket information can be accessed at any time for job details. Boost ticket averages by displaying recommended services.

- Quickly assign a vehicle to a bay.
- Drag & drop vehicle photos.
- Assign technicians to a ticket.
- Access full job ticket list.
- Service checklists.

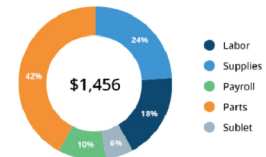


REPORTING AT A GLANCE



PEACE OF MIND WITH DETAILED REPORTING

Expenses by Type



Add New Chart

File

Type: Profit

Bar

Type: Oil Change

Column

Expenses: Parts

Line

Technician: Choose Technician

Scatter

Time: Estimated Time

Cancel Create

Reporting Made Easy

Always know where you stand and stop guessing about your shop's financial health. Driverse's reporting gives you piece of mind by showing critical data at a glance. The simple layout quickly shows revenue, expenses, labor costs, employee hours, and more. Create your own charts so you can track what you want, how you want!

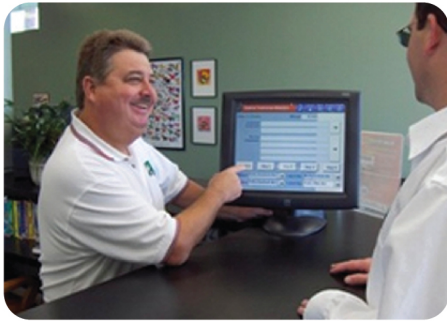


Detailed Reporting

- Revenue by type.
- Expenses by type.
- Labor costs by type.
- Profits reporting.
- Payroll reporting.
- & More!

OUR FAMILY OF PRODUCTS

With 120+ years of combined experience in the quick lube and repair shop industries, our experts are ready to provide the perfect solution for your shop!



SAGE
Quick Lube POS Software



AUTO DATA
Quick Lube POS Software



ELUBE
Quick Lube POS Software



INVOMAX
Repair Shop Software

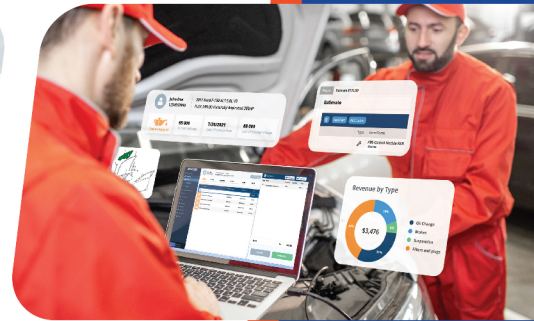
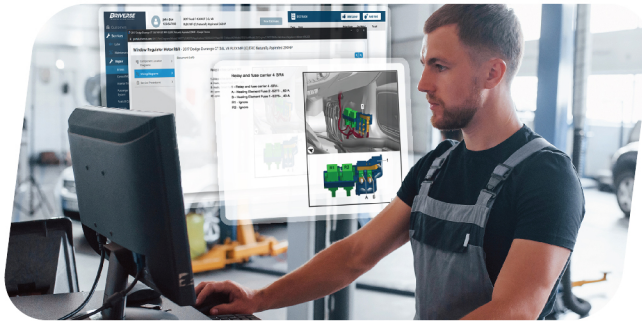
Learn More At

WWW.DRIVERSE.COM



START WORKING SMARTER!

CONTACT US FOR A FREE DEMO



Contact Us Today!

Connect with our Driverse team today so we can walk you through the perfect solution for your shop and show you a live demo of Driverse in action!



Visit
www.driverse.com



Email
sales@driverse.com



Call
800.600.4955



Visit Our Website
www.Driverse.com



DRIVERSE

AUTOMOTIVE SOFTWARE

www.Driverse.com | 800.600.4955



Visit Our Website
www.Driverse.com

